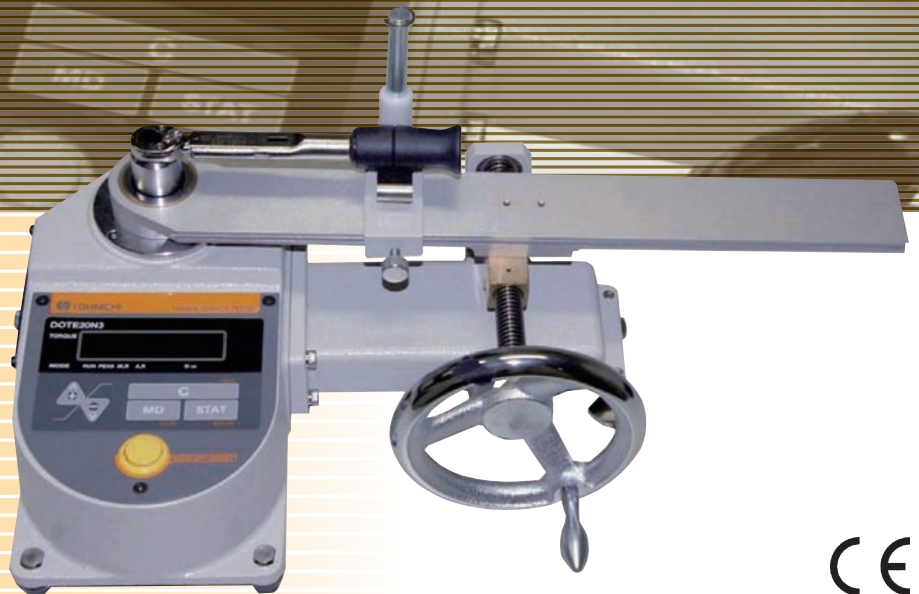
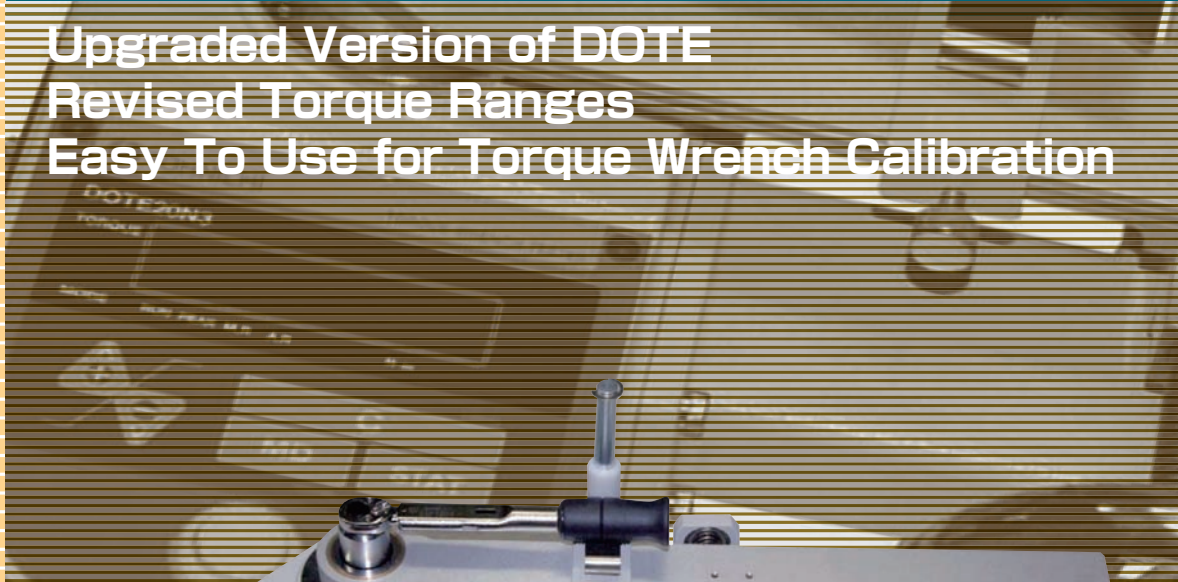


Digital Torque Wrench Tester

DOTE3

PAT. PEND.

Upgraded Version of DOTE
Revised Torque Ranges
Easy To Use for Torque Wrench Calibration



- Easy to operate with the "Auto Zero" function. No need for manual zero adjustment work.
- "Loading system" enables proper and accurate torque loading by rotation of handle. It maintains calibration conditions and prevents positioning errors.
- Max 99 tested data can be stored in the built-in memory. Also, it displays the data quantity, max./min./average values.
- RS232C-compliant output terminal allows data transmission to PC or to the dedicated printer (EPP16M2)

Your Torque Partner



Specifications

Accuracy ± 1% + 1 digit

MODEL	NEWTON N · m		MODEL	METRIC Kgf · cm / kgf · m		ENGLISH (named "A") lbf · in / lbf · ft				TORQUE WRENCH MAX EFFECTIVE LENGTH [mm]	INLET DRIVE [mm]	Weight [kg]	ACCESSORIES [mm]	
	MIN.~MAX.	1 digit GRADUATION		MIN.~MAX.	1 digit GRADUATION	MIN.~MAX. (lbf · in)	1 digit GRADUATION	MIN.~MAX. (lbf · ft)	1 digit GRADUATION				SQUARE (FEMALE)	HEX (MALE)
DOTe20N3	2~ 20	0.005	200DOTe3	20~ 200	0.05	18~ 180	0.05				9.5		6.3	10 · 13 · 19 12 · 14 · 17
DOTe50N3	5~ 50	0.01	500DOTe3	50~ 500	0.1	44~ 440	0.1			410		11		
DOTe100N3	10~ 100	0.02	1000DOTe3	100~1000	0.2	87~ 870	0.2				12.7		6.3 9.5	
DOTe200N3	20~ 200	0.05	2000DOTe3	200~2000	0.5	170~1700	0.5	15~150	0.05	660		13	-	17 · 22 · 27 19 · 24 · 30
DOTe500N3	50~ 500	0.1	5000DOTe3	5~ 50	0.01			36~360	0.1	1020		24	-	22 · 27 · 29 30 · 32 · 36
DOTe1000N3	100~1000	0.2	10000DOTe3	10~ 100	0.02			73~730	0.2	1650		45	19.0	34 · 41 46 · 50

Common Specifications

DATA MEMORY	99 data
STATISTIC FANCTION	Sampling number, Max. Min, Mean value
DATA OUTPUT	RS232C (2400-19200bps)
PARITY CHECK	Non/Odd/Even
PRINTER	EPP16M2
RESET	Manual/Auto
COMMUNICATION SELECT.	Key-operation
OPERATING CONDITION (C)	0-40 C
POWER SOURCE	AC100 - 240V, 50/60Hz

MODEL	DIMENSION [mm]									
	L'	B	H	B1	B2	L1	L2	H1	H2	
DOTe20N3										
DOTe50N3	511	263	221	245	221		5.6	87	142	
DOTe100N3						150				
DOTe200N3	711	323	278					117	162	
DOTe500N3	1141	394	304	265	241		15.6	139	201	
DOTe1000N3	1771	509	361					139	222	

Accessories

Adaptor

Catalogue No.	Specification
285	3/8 - 7 · 8 · 9
286	1/2 - 16 · 18 · 21
287	1/2 - 17 · 22 · 27
288	1/2 - 19 · 24 · 30

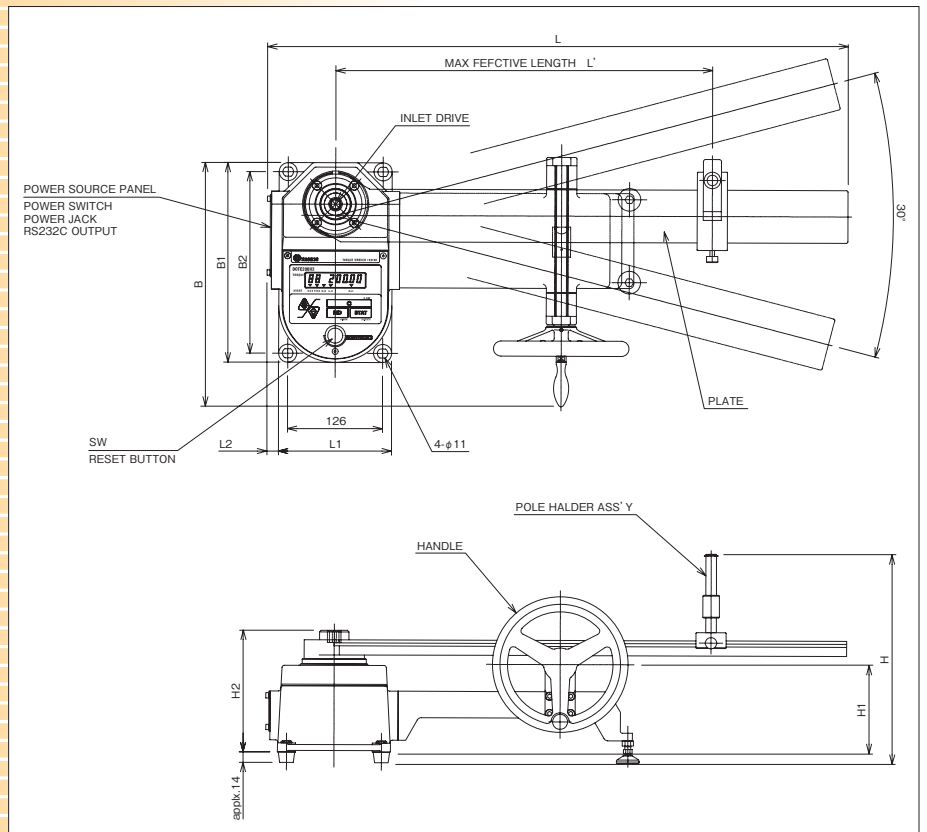
Interface Cable

Catalogue No.	Specification
382	DOTe3 - EPP16M2 Printer
383	DOTe3 - PC (D-SUB 9pin female)

Others

EPP16M2	Printer
DFS software	Data File Software
BP-100	Battery Pack

Dimensions (mm)



URL ▶ <http://tohnichi.jp>
E-mail ▶ overseas@tohnichi.co.jp